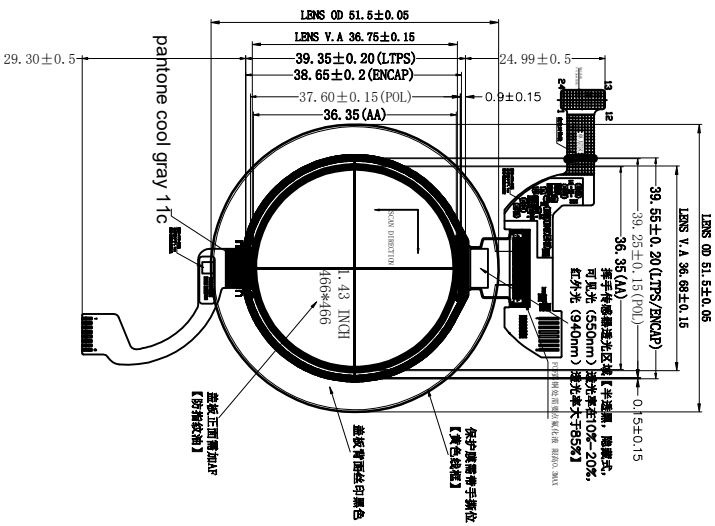
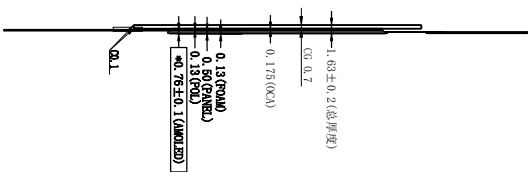


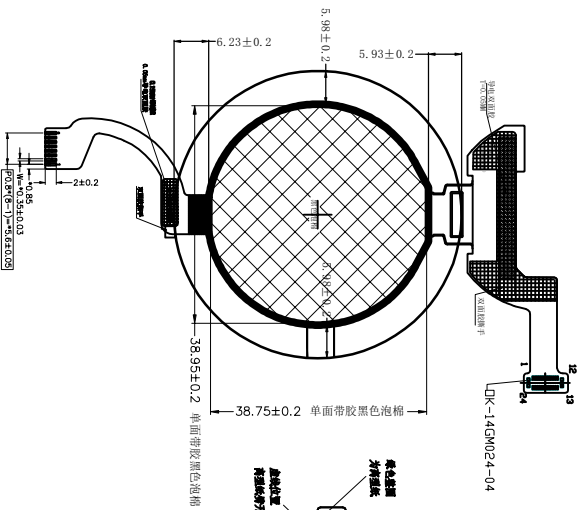
正视图



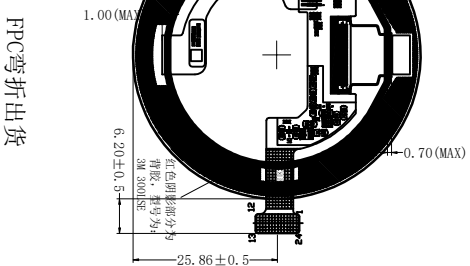
侧视图



背视图



PPC弯折示意图



PPC弯折出货

PIN	DESCRIPTION
1	VBAT
2	VBAT
3	GND
4	DON
5	DOP
6	GND
7	CLKN
8	CLKP
9	GND
10	TE
11	RESET
12	VCL_EN
13	GND
14	VCL
15	TP_3X/3
16	GND
17	IDVCC
18	MIP
19	TP_1V8
20	TP_S0L
21	TP_S0A
22	TP_RST
23	TP_INT
24	GND

- NOTES (AMOLED):
1. DISPLAY TYPE: 1.43" LTFS-AMOLED
 2. OPERATING VOLTAGE: VCI=3.3V (TP)
 3. DRIVER IC: C0530DAF-40
 4. POWER IC: EPP5532A
 5. OPERATING TEMP.: -20C ~ 60C
 6. STORAGE TEMP.: -30C ~ 70C
 7. INTERFACE: 1-LANE MIPI
 8. GENERAL TOLERANCE: ±0.3MM
 9. ROHS COMPLIANT

- NOTES FOR CTP:
1. GLASS MATERIAL: PANDA
 2. COVER GLASS + SENSOR GLASS + PPC
 3. DRIVER IC: FT13169
 4. HARDNESS OF COVER SURFACE: ≥6H (750g) CS≥450, DOI≥10

VER.	REVISED DESCRIPTION	REVISER	DATE	VERSION NO.	SHEET NO.	1/1
01	FIRST ISSUE	CAROL	2023.07.05			



MULTI-INNO TECHNOLOGY CO., LTD.

DRAWN BY: CAROL 2023.07.05
 CHECKED BY: [Signature]
 SCALE: 1/1
 UNIT: mm
 DESCRIPTION: MODULE P/N: M1466466A0-FCP

APPROVED BY: [Signature]
 VERSION NO.: 01
 SHEET NO.: 1/1
 OLED + CTP MODULE